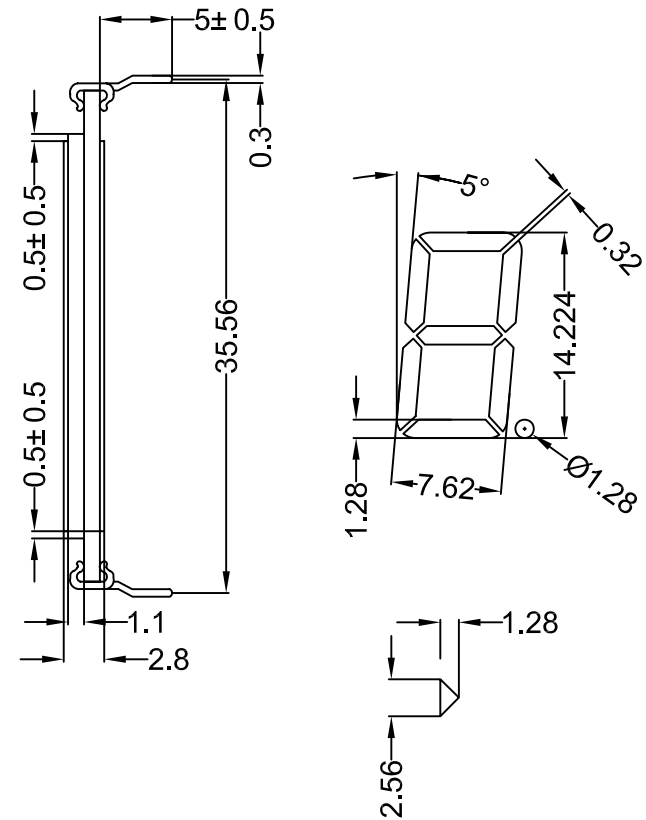


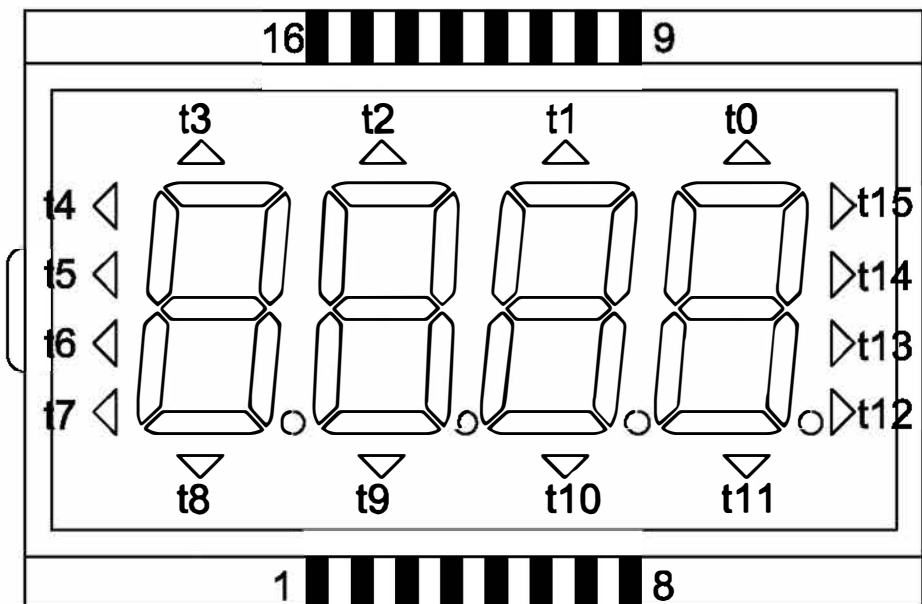
NOTE

- 1 TOLARENCES UNLESS OTHERWISE SPECIFIED: ± 0.2
- 2 ALL DIMENSIONS ARE IN mm
- 3 VIEWING ANGLE: 6 O'CLOCK
- 4 POLARIZER: REFLECTIVE, POSITIVE
- 5 MULTIPLEX LEVEL: 1/4 DUTY, 1/3 BIAS
- 6 LCD DRIVING VOLTAGE(Vop): 3.0V
- 7 OPERATING TEMP.: -20°C TO 70°C
STORAGE TEMP.: -30°C TO 80°C
- 8 DISPLAY TYPE: TN
- 9 CONNECTOR: PIN



DALIAN GOOD DISPLAY CO., LTD.

DESIGN MODEL		GDC130	
VAR.	A	DATE	2008.03.11
CUSTOMER MODEL		APPROVED BY	
		CHECKED BY	
PAGE 1/2		DRAWN BY	WU BO



PIN	1	2	3	4	5	6	7	8	9	10	11	12	13	14	15	16
COM1	t3	t7	t8	t12	COM0	/	/	/	dp0	d0	dp1	d1	dp2	d2	dp3	d3
COM2	t2	t6	t9	t13	/	COM1	/	/	c0	e0	c1	e1	c2	e2	c3	e3
COM3	t1	t5	t10	t14	/	/	COM2	/	b0	g0	b1	g1	b2	g2	b3	g3
COM4	t0	t4	t11	t15	/	/	/	COM3	a0	f0	a1	f1	a2	f2	a3	f3

DALIAN GOOD DISPLAY CO., LTD.			
DESIGN MODEL		GDC130	
VAR.	A	DATE	2008.03.11
CUSTOMER MODEL		APPROVED BY	
		CHECKED BY	
PAGE 1/2		DRAWN BY	WU BO

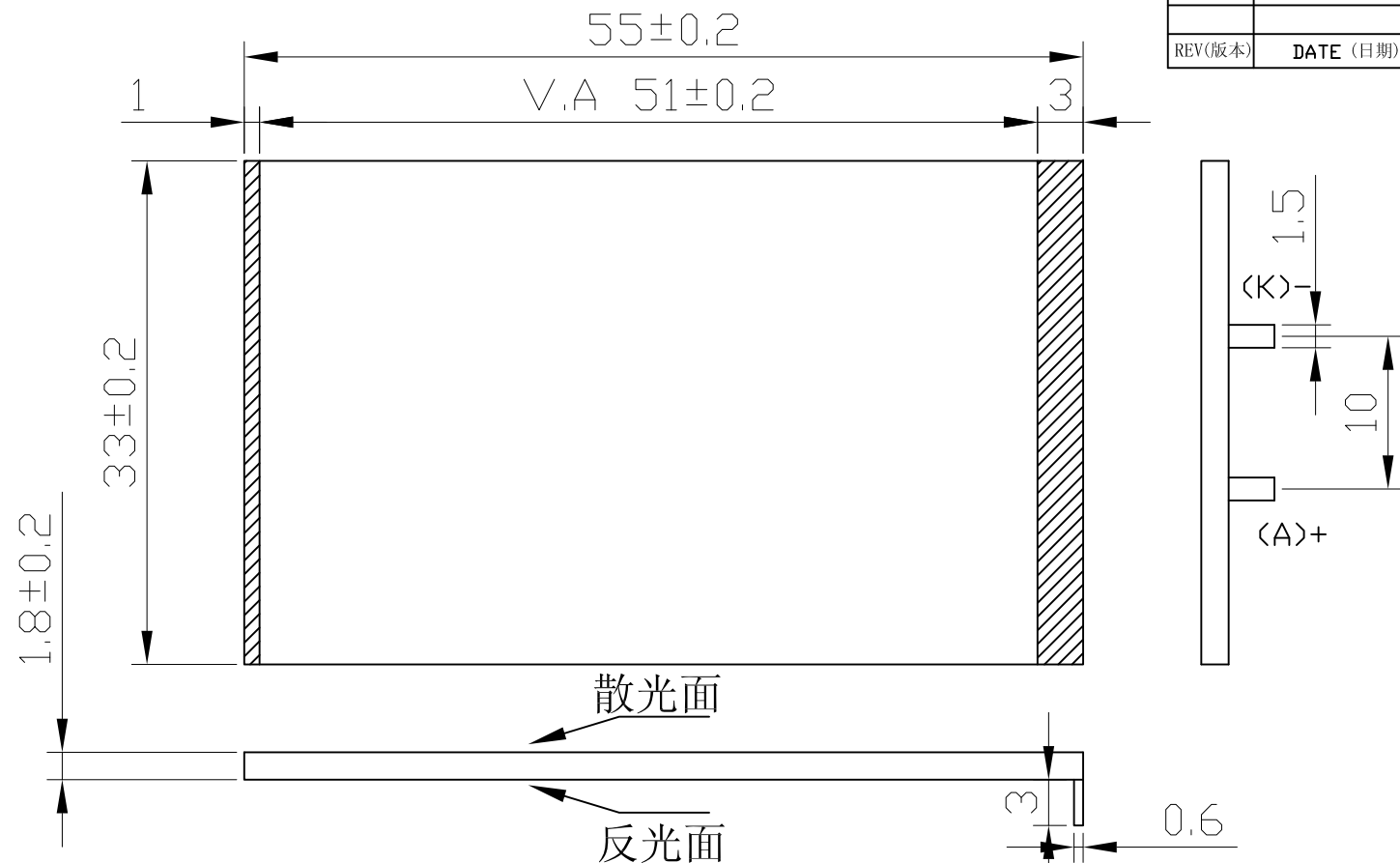
Customer Mode: /

Customer Approve By:

REV.	DESCRIPTION OF MODIFY	DATE
A0	Original version	

1.外形结构图 (单位: mm。未注极限尺寸公差±0.2)

RoHS



REV(版本)	DATE (日期)	CHANGE ITEM(变更内容)
---------	-----------	-------------------

2. 光电参数 (ELECTRICAL-OPTICAL CHARACTERISTICS)

Item	Symbol	MIN.	TYP.	MAX.	Unit	Condition
Forward Voltage	Vf	2.9	3.0	3.2	V	If= 30 mA
Peak Wavelength	λPeak					
Colour Coordinate	x	0.235	/	0.30		
	y	0.235	/	0.30		
Luminance	Lv		-		cd/m ²	
Uniformity	Avg	70	-	-	%	
Reverse Current (Per LED)	Ir			10uA/LED	μA	Vr= 5 V

● Operating Temperature: -20~+70°C ● Storage Temperature: -30~+80°C

3. Curcuit Diagram



(LED 1*2=2diode) color: whtie (白色)

Dalian Good Display Co.,Ltd

DWG NO.:	GDC130,8753		DESIGNED BY:	ZMH
VERSION: A0	UNIT: mm	CHECKED BY:		
SHEET: 1 OF 1	DATE: 2011. 2. 28	APPROVED BY:		