



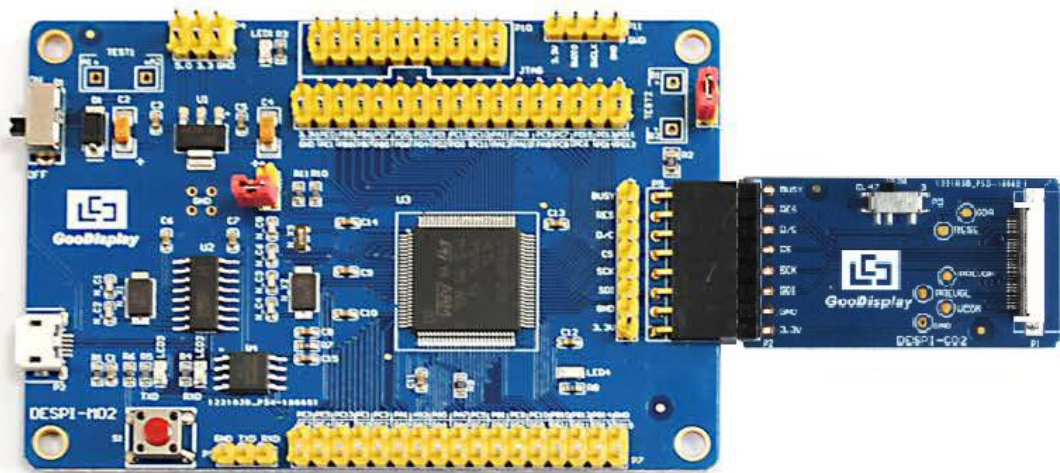
Development Kit for E-paper Display



DESPI (C02)

Dalian Good Display Co., Ltd.

Product Specifications



Customer	Standard
Description	Development Kit for E-paper Display
Model Name	DESPI (C02)
Date	2020/03/11
Revision	2.1

	Design Engineering		
	Approval	Check	Design
			

No.17 Gonghua Street, Shahekou District, Dalian 116021 China

Tel: +86-411-84619565

Fax: +86-411-84619585-810

Email: info@good-display.com

Website: www.e-paper-display.com

Contents

1.Overview.....	4
2.Mechanical Specifications.....	5
3.Functions.....	6
4.Connection Mode and RESE Selection.....	9
5.Program Downloading.....	12

1. Overview

This development kit is used to help users develop e-paper display projects with provided source code to create more differentiated solutions. It is designed for SPI e-paper display. It supports driving Good Display's black-white e-paper display and three-color (black, white and red/Yellow) e-paper display: 1.54", 2.04", 2.13", 2.6", 2.7", 2.9", 3.71", 4.2", 5.83" and 7.5". And it is added the functions of USB serial port and LED indicator light, etc. It also supports being updated by computer directly.

DESPI (C02) development kit consists of motherboard DESPI-M02 and connector board DESPI-C02.

2.Mechanical Specifications

Parameter	Specification
Model	DESPI (C02)
Platform	STM32
Dimension	90mm x 60mm (DESPI-M02) 41mm x 22mm (DESPI-C02)
Power Interface	USB interface
Sample Code	Available (please contact sales)
Operating Temp.	-20°C ~+70°C
Main Function	Learn to drive e-paper display; Test and evaluate e-paper display; For secondary development.
Additional Function	USB to serial port; Indicator light; Key; Current measurement.

3.Functions

DESPI-M02

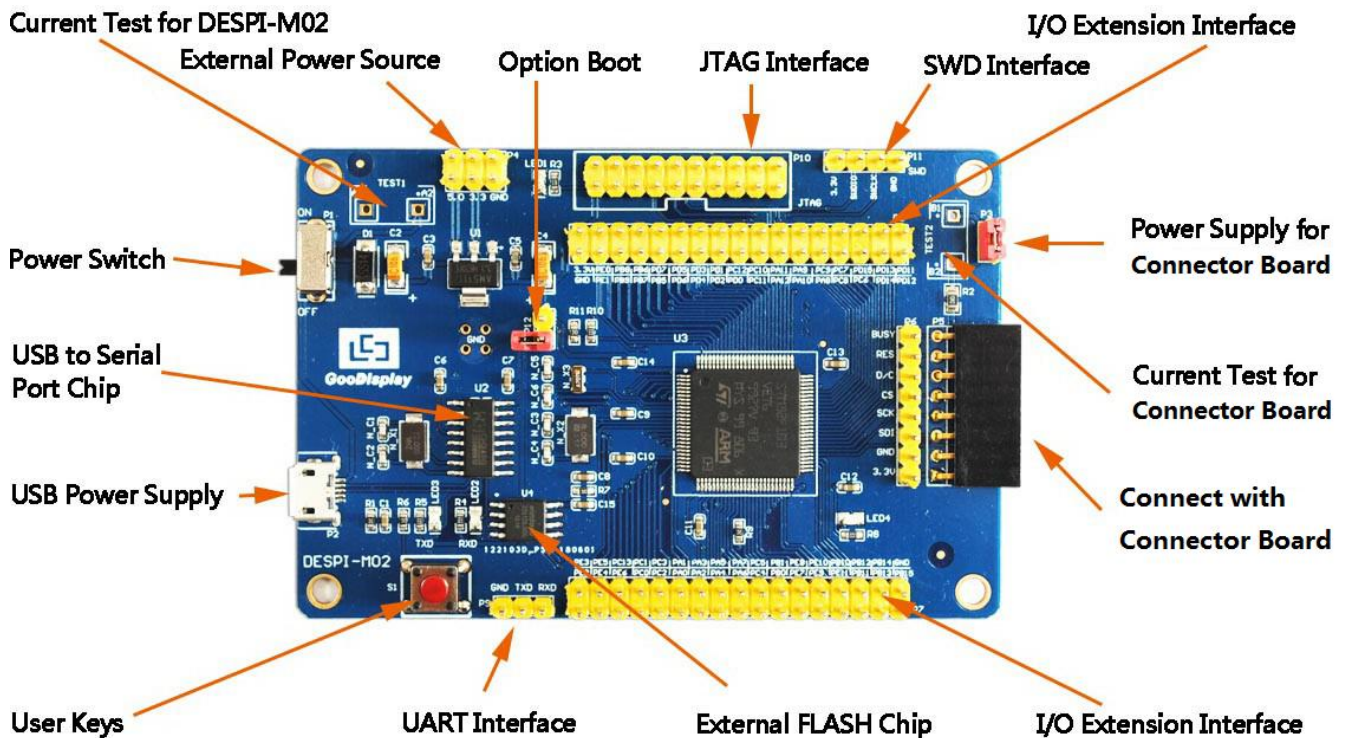


Figure 1 : DESPI-M02

DESPI-C02

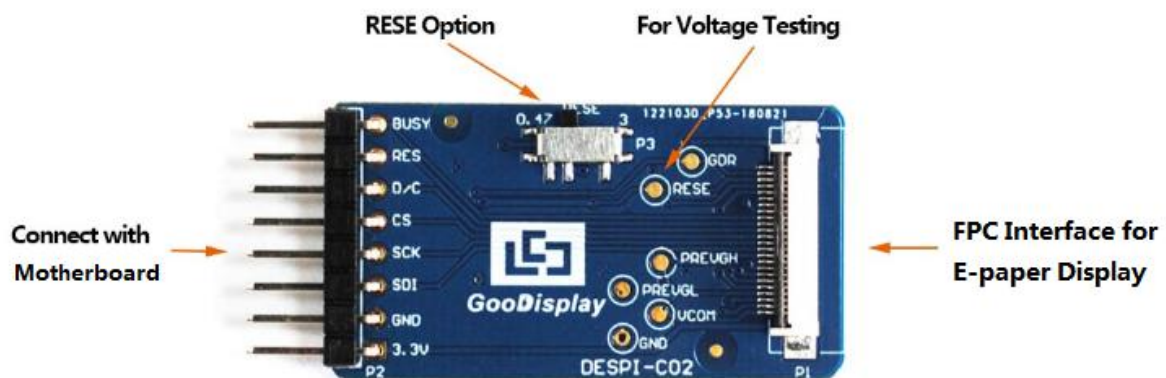


Figure 2 : DESPI-C02

3.1 Power Supply

The input voltage of this board is DC5V, which is powered by the USB port.

3.2 USB to serial port transmission

This board has USB to serial port transmission function. Please install the driver program CH340 to use it.

3.3 P3 and P12 short-circuit jumper

- 1) P3: P3 short-circuit jumper controls DESPI-C02's power supply, which is e-paper's power supply.
- 2) P12: P12 short-circuit jumper is used to select the download mode. You need to connect it when you download a program by UART mode, and remove it after you have downloaded it, otherwise the program will not run. If you connect it, you will not be able to download program by other ways.

3.4 Current measurement

The development kit supports current measurement of DESPI-M02 and DESPI-C02.

- 1) DESPI-M02: Power off and make series connection between ampere meter and TEST1.
- 2) DESPI-C02: Power on and take off the short-circuit jumper P3, then make series connection between ampere meter and TEST2. Put on the short-circuit jumper P3 after measurement.

3.5 I/O port extension

The I/O port of STM32 has been led out for developing.

3.6 LED indicator light

There is a indicator light reserved for developing.

3.7 Key

There is a key reserved for developing.

4.Connection Mode and RESE Selection

4.1 Connection between e-paper and development board

Connect DESPI-C02 to DESPI-M02 as shown in Figure 3. Connect e-paper FPC to DESPI-C02 as shown in Figure 4. (Pay attention to the direction of the e-paper.)

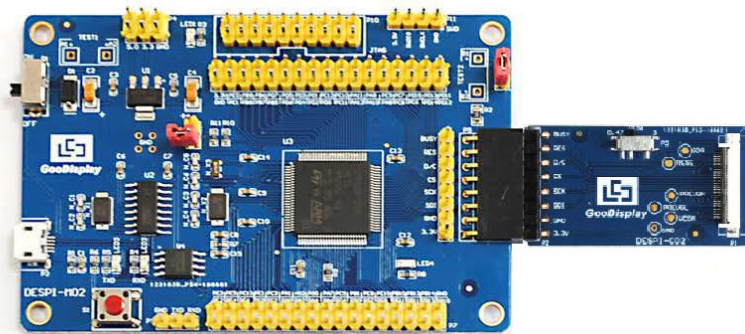


Figure 3 : Connection between DESPI-M02 and DESPI-C02





<p>(1) FPC connector</p>	
<p>(2) Open the connector</p>	
<p>(3) Insert the FPC</p>	
<p>(4) Close the connector</p>	

Figure 4 : Connection between DESPI-C02 and e-paper

4.2 RESE resistor selection of DESPI-C02

The switch on DESPI-C02 is used to select the RESE resistor, different e-papers need to match different RESE resistors, a wrong RESE resistor will cause the e-paper cannot be refreshed.

When RESE is set to 0.47 :

1.54 inch : GDEW0154T8、GDEW0154I9F、GDEW0154Z17、
GDEW0154Z04、GDEW0154C39

2.13 inch : GDEW0213T5、GDEW0213I5F、GDEW0213Z16、
GDEW0213C38

2.6 inch : GDEW026T0、GDEW026Z3

2.7 inch : GDEW027W3、GDEW027C44

2.9 inch : GDEW029T5、GDEW029I6F、GDEW029Z10、
GDEW029C32

3.71 inch : GDEW0371W7、GDEW0371Z80

4.2 inch : GDEW042T2、GDEW042Z15、GDEW042C37

5.83 inch : GDEW0583T8、GDEW0583Z21、GDEW0583Z83、
GDEW0583C64

7.5 inch : GDEW075T7、GDEW075Z08、GDEW075Z09、
GDEW075C21、GDEW075C64

When RESE is set to 3 :

1.54 inch : GDEP015OC1、GDEH0154D67、GDEM0154E97LT

2.04 inch : GDE021A1

2.13 inch : GDEH0213B73、GDEH0213D30LT、GDEM0213E28LT

2.9 inch : GDEH029A1、GDEH029D56LT、GDEM029E27LT

5.83 inch : GDEW0583T7

7.5 inch : GDEW075T8

5. Program Downloading

This development board supports three ways downloading program. They are JTAG, SWD and UART. JTAG and SWD is recommended, because these two can make online downloading available for debug.

5.1 JTAG

We need to use J-link simulator and Keil4, the operation steps are as follows:

- 1) Connect the simulator to DESPI-M02's JTAG interface (align the raised part of the figure 5 simulator interface to the notch direction of the JTAG interface) and connect the computer USB port at the other end.

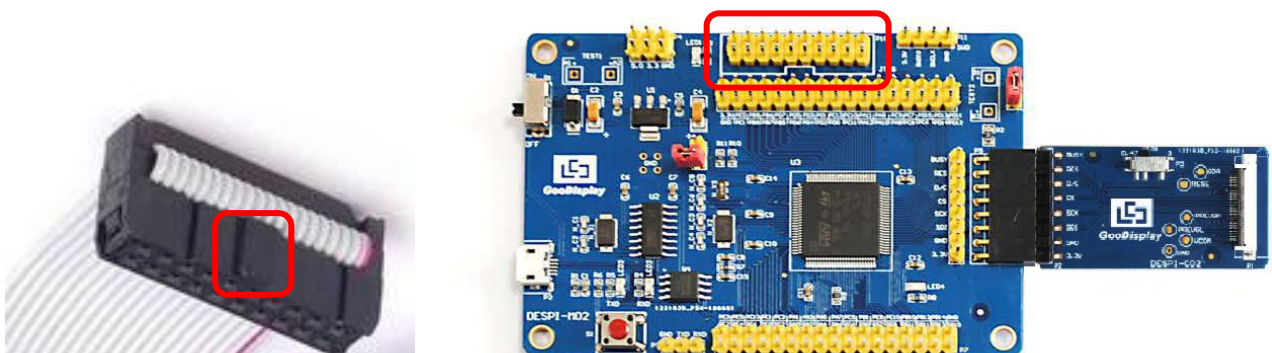


Figure 5 : Connection between JTAG and simulator

- 2) Open the "mdk.uvproj" in the program folder "Project" shown in Figure 6 with Keil4.

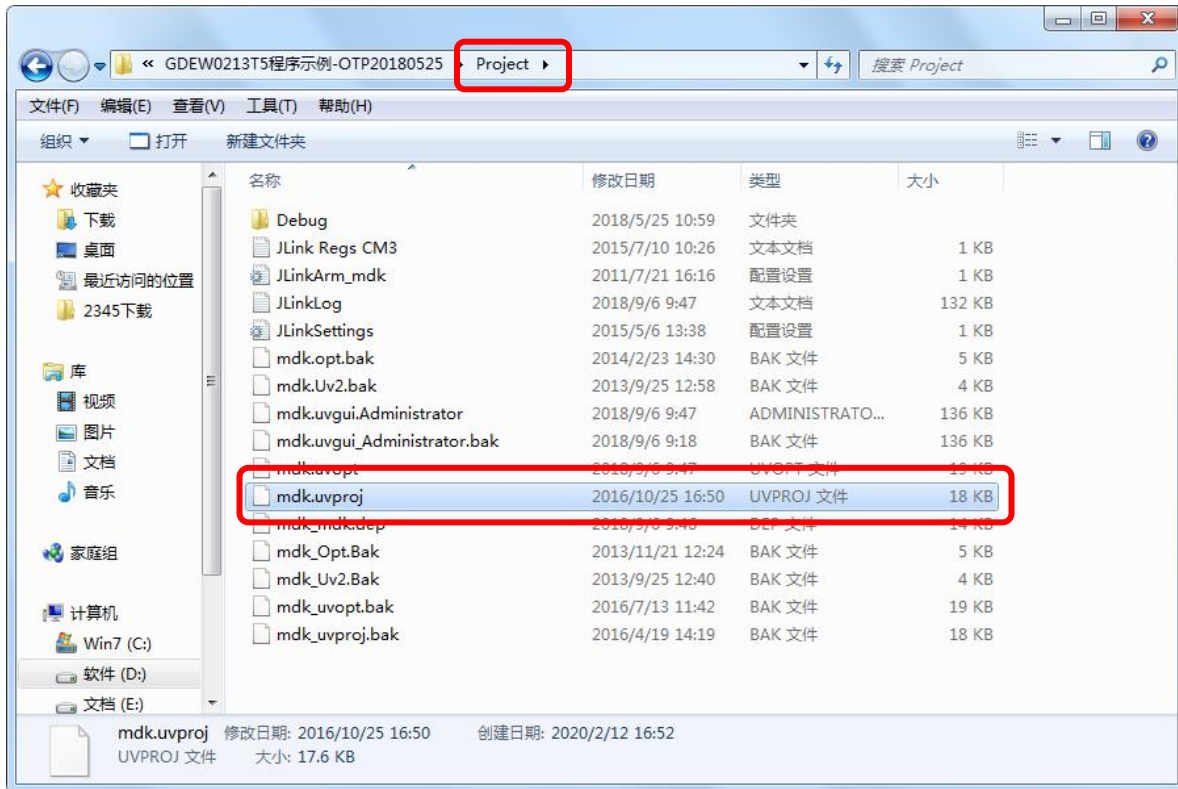



Figure 6 : Open the mdk.uvproj

3) The Keil4 toolbar is shown in Figure 7. Please click  at the first time using the simulator and a box like Figure 8 will pop up. Choose the simulator model of yours in the "Debug" bar, and click "OK" to confirm.

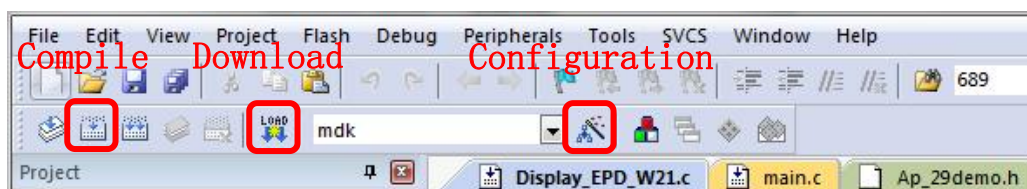


Figure 7 : Keil4 toolbar

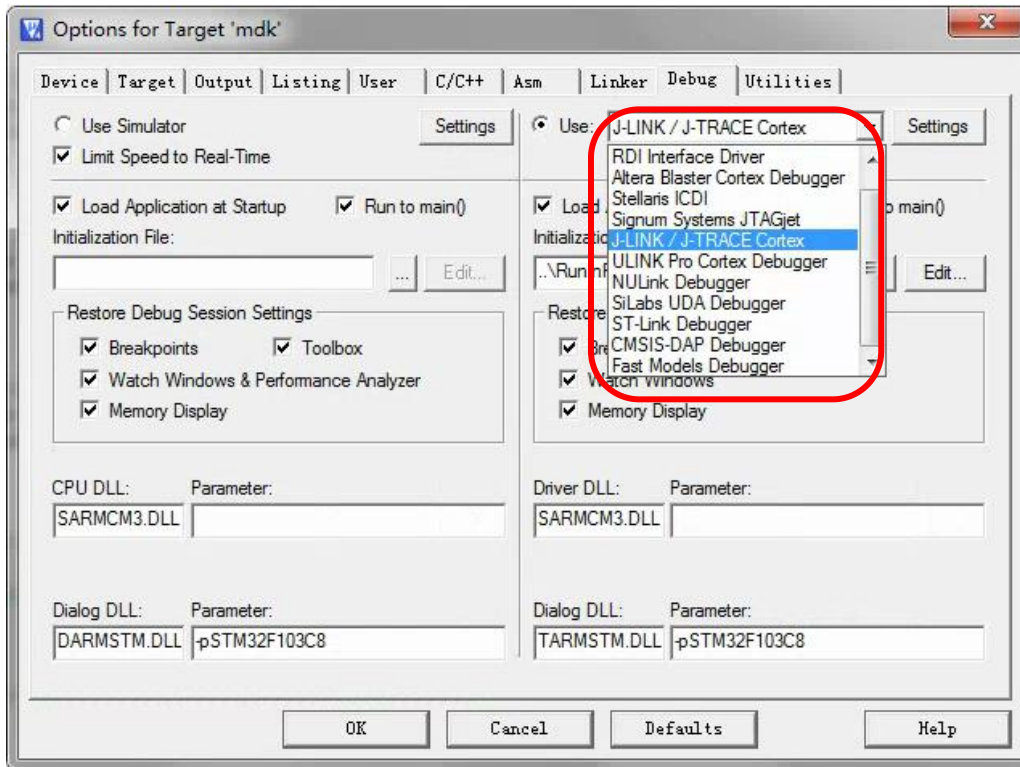


Figure 8 : Choose the simulator model

4) Click Ap_29demo.h in Figure 9 to change the image data that needs to be displayed (the image data needs to be achieved by image2lcd).

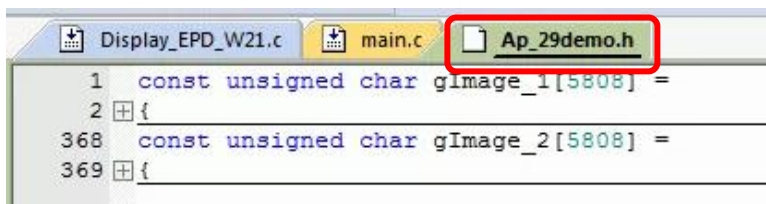




Figure 9 : change the image data

- 5) Click  in the toolbar in Figure 7 to compile.
- 6) Click  in the toolbar in Figure 7 to download.

5.2 SWD

We need to use ST-link simulator and Keil4, the operation steps are as follows:

- 1) As shown in figure 10, DESPI-M02 has a 4-wire SWD interface, which can be connected to the simulator interface by 4 wires and then connect the simulator to the computer.

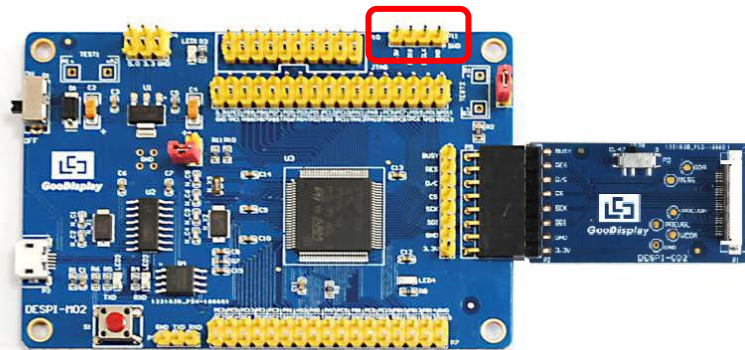


Figure 10 : SWD interface

- 2) Download program with Keil4 by the same steps with JTAG.

5.3 UART

This development board supports USB to serial port download, which need to use Micro USB data cable, CH340 driver and FlyMcu download tool, the operation steps are as follows:

- 1) We need to install the CH340 driver on the computer before downloading for the first time.
- 2) Connect the USB port of DESPI-M02 to the computer with USB data cable.
- 3) Connect P12 with a short-circuit jumper, the position of P12 is shown in Figure 11.

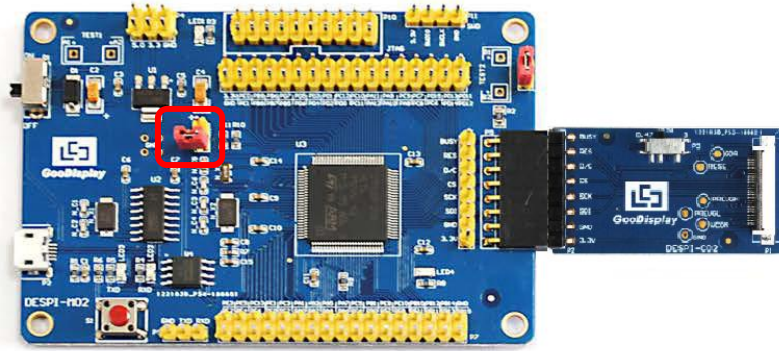


Figure 11 : The position of P12

4) Open the FlyMcu downloading tool and configure it as shown in Figure 12.

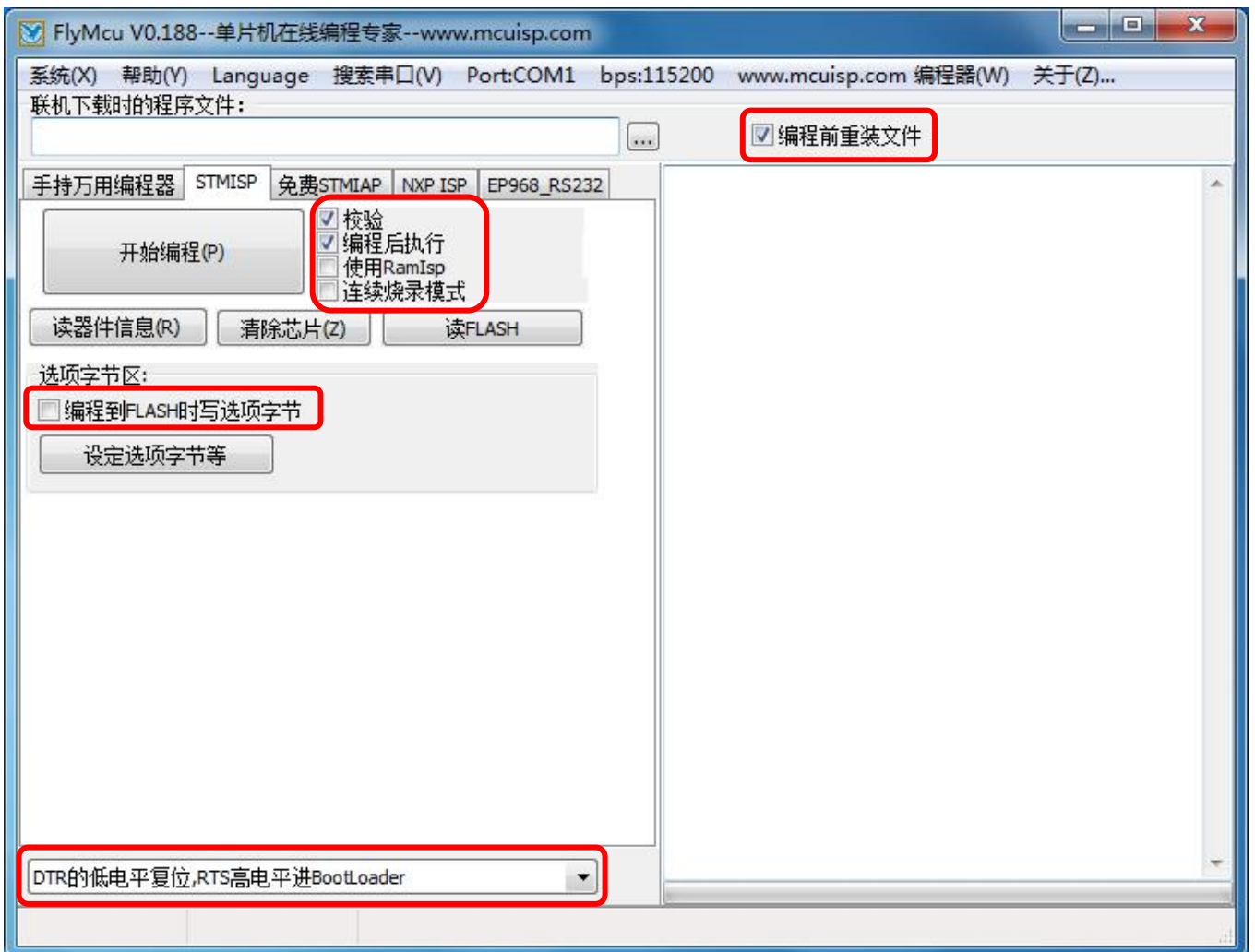


Figure 12 : Configuration of FlyMcu

- 5) Click “搜索串口”, choose the COM port corresponding to the board, “bps” choose “115200”.
- 6) Choose the program file with the file path: Project > Debug > obj > mdk.hex.
- 7) Click “开始编程” to download.
- 8) When download is complete, remove the short-circuit jumper of P12 and re-energize the board, then the program will run.
- 9) If you want to change a image, you need to use Keil4 to change the image data (Figure 9), compile it (Figure 7) to generate a new mdk.hex file, and then re-select the file to download it.

Tips: When downloading a program with UART, P12 must be shorted. And the short-circuit jumper must be removed after downloading, otherwise the program cannot run.