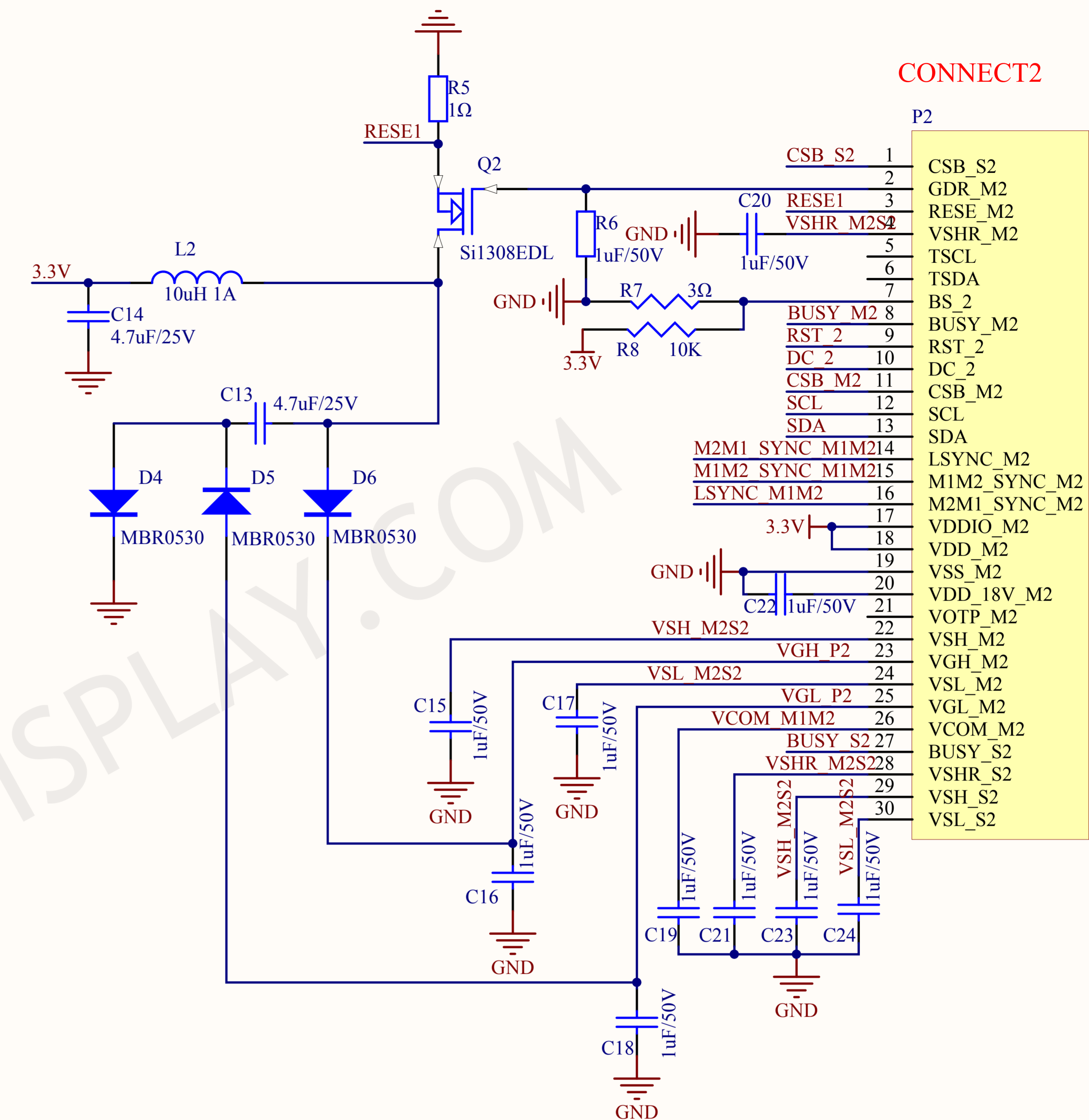
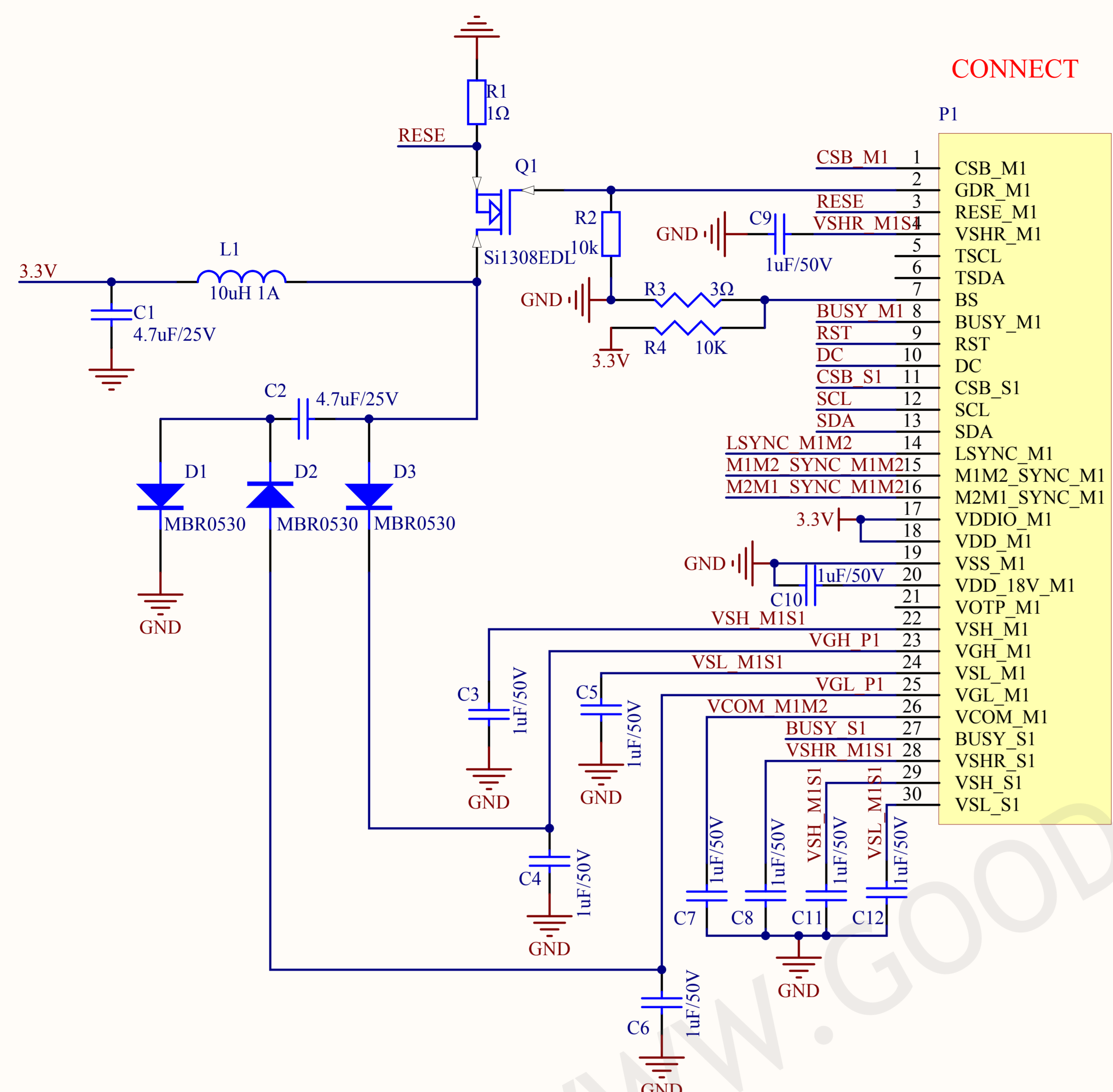


CONNECT

CONNECT2



1	CSB_M1
2	GDR_M1
3	RESE_M1
4	VSHR_M1
5	TSCL
6	TSDA
7	BS
8	BUSY_M1
9	RST
10	DC
11	CSB_S1
12	SCL
13	SDA
14	LSYNC_M1M2
15	M1M2_SYNC_M1
16	M2M1_SYNC_M1
17	VDDIO_M1
18	VDD_M1
19	VSS_M1
20	VDD_18V_M1
21	VOTP_M1
22	VSH_M1
23	VGH_M1
24	VSL_M1
25	VGL_M1
26	VCOM_M1
27	BUSY_S1
28	VSHR_M1S1
29	VSH_M1S1
30	VSL_S1

1	CSB_S2
2	GDR_M2
3	RESE_M2
4	VSHR_M2
5	TSCL
6	TSDA
7	BS_2
8	BUSY_M2
9	RST_2
10	DC_2
11	CSB_M2
12	SCL
13	SDA
14	LSYNC_M2
15	M1M2_SYNC_M2
16	M2M1_SYNC_M2
17	VDDIO_M2
18	VDD_M2
19	VSS_M2
20	VDD_18V_M2
21	VOTP_M2
22	VSH_M2
23	VGH_M2
24	VSL_M2
25	VGL_M2
26	VCOM_M2
27	BUSY_S2
28	VSHR_M2S2
29	VSH_M2S2
30	VSL_S2

CONNECT<----->CONNECT2

PIN12-----PIN12
 PIN13-----PIN13
 PIN14-----PIN16
 PIN15-----PIN15
 PIN16-----PIN14
 PIN26-----PIN26

1	GND	2	3.3V
3	SDA	4	SCL
5	CSB_S2	6	CSB_M1
7	BUSY_M2	8	BUSY_M1
9	RST_2	10	RST
11	DC_2	12	DC
13	CSB_M2	14	CSB_S1
15	BUSY_S2	16	BUSY_S1

Header 8X2

- VCOM ● VCOM_M1M2
- VGHP2 ● VGHP2
- VGLP2 ● VGLP2
- VGHP1 ● VGHP1
- VGLP1 ● VGLP1
- GND ● GND
- mark1 ●
- mark ●

Title		DALIAN GOOD DISPLAY CO., LTD.	
Size	Number	Revision	
A4	DESPI-C1248	1.0	
Date:	2018/9/11	Sheet of	
File:		Drawn By:	