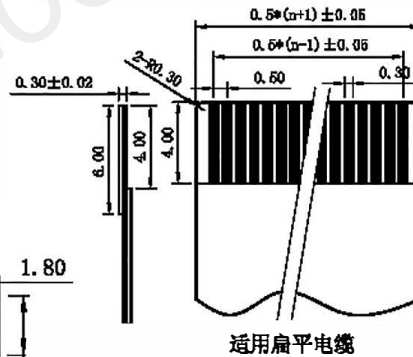
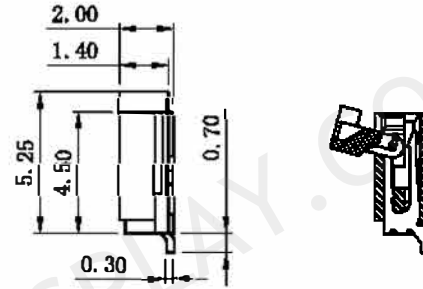
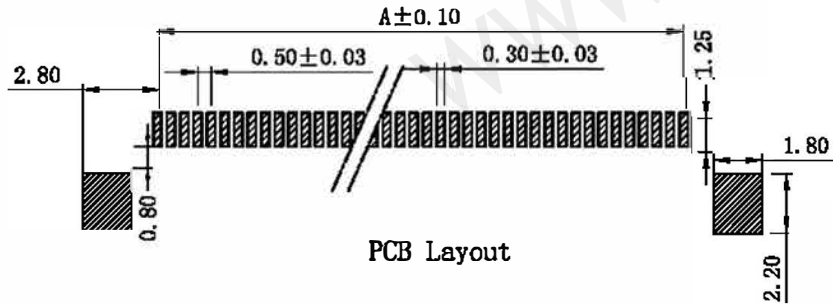
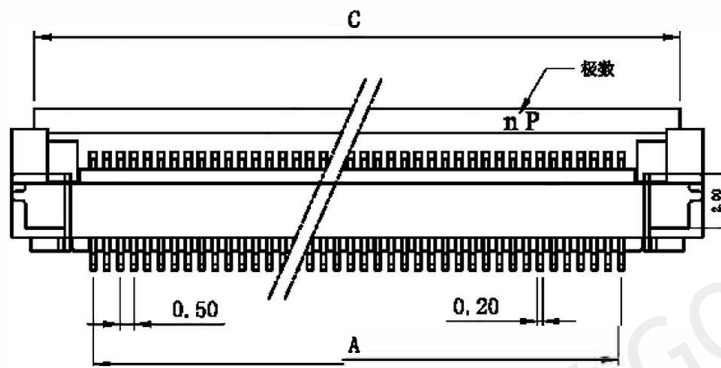
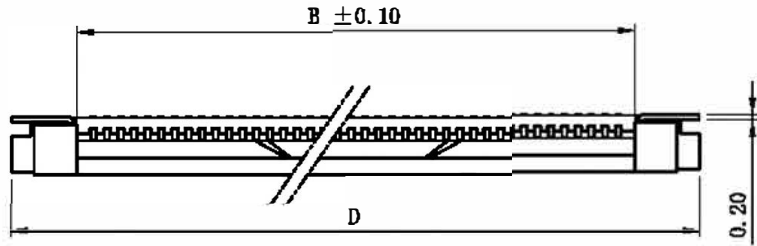


# PITCH 0.5mm FPC CONNECTOR SMT TYPE



Specification:

1. Pitch: 0.5mm
2. Temperature Range: -20~85°C
3. Rated Voltage: 50V
4. Rated Current: 0.4A
5. Contact Resistance: ≤20mΩ
6. Insulation Resistance: 500MΩ
7. Withstand Voltage: 200V

Material:

1. Housing: LCP UL94V-0 Original
2. Locker: LCP UL94V-0 Black
3. Contact: Phosphor bronze, tin/gold-plated
4. Solder tab: Brass, tin/gold-plated

孔位	A	B	C	D
4	1.50	2.60	6.00	7.40
5	2.00	3.10	6.50	7.90
6	2.50	3.60	7.00	8.40
7	3.00	4.10	7.50	8.90
8	3.50	4.60	8.00	9.40
9	4.00	5.10	8.50	9.90
10	4.50	5.60	9.00	10.40
11	5.00	6.10	9.50	10.90
12	5.50	6.60	10.00	11.40
13	6.00	7.10	10.50	11.90
14	6.50	7.60	11.00	12.40
15	7.00	8.10	11.50	12.90
16	7.50	8.60	12.00	13.40
17	8.00	9.10	12.50	13.90
18	8.50	9.60	13.00	14.40
19	9.00	10.10	13.50	14.90
20	9.50	10.60	14.00	15.40
21	10.00	11.10	14.50	15.90
22	10.50	11.60	15.00	16.40
23	11.00	12.10	15.50	16.90
24	11.50	12.60	16.00	17.40
25	12.00	13.10	16.50	17.90
26	12.50	13.60	17.00	18.40
27	13.00	14.10	17.50	18.90
28	13.50	14.60	18.00	19.40
29	14.00	15.10	18.50	19.90
30	14.50	15.60	19.00	20.40
31	15.00	16.10	19.50	20.90
32	15.50	16.60	20.00	21.40
33	16.00	17.10	20.50	21.90
34	16.50	17.60	21.00	22.40
35	17.00	18.10	21.50	22.90
36	17.50	18.60	22.00	23.40
37	18.00	19.10	22.50	23.90
38	18.50	19.60	23.00	24.40
39	19.00	20.10	23.50	24.90
40	19.50	20.60	24.00	25.40
41	20.00	21.10	24.50	25.90
42	20.50	21.60	25.00	26.40
43	21.00	22.10	25.50	26.90
44	21.50	22.60	26.00	27.40
45	22.00	23.10	26.50	27.90
46	22.50	23.60	27.00	28.40
47	23.00	24.10	27.50	28.90
48	23.50	24.60	28.00	29.40
49	24.00	25.10	28.50	29.90
50	24.50	25.60	29.00	30.40
51	25.00	26.10	29.50	30.90
52	25.50	26.60	30.00	31.40
53	26.00	27.10	30.50	31.90
54	26.50	27.60	31.00	32.40
55	27.00	28.10	31.50	32.90
56	27.50	28.60	32.00	33.40
57	28.00	29.10	32.50	33.90
58	28.50	29.60	33.00	34.40
59	29.00	30.10	33.50	34.90
60	29.50	30.60	34.00	35.40

$L \pm 0.3$	$K^\circ \pm 5^\circ$	UNITS	mm	NAME (INTENDED USE)	DALIAN GOOD DISPLAY CO., LTD TITLE: D. 5mm FPC DRG NO.:
$.X \pm 0.25$	$.K^\circ \pm 2^\circ$	MAT'L		0.5mm FPC	
$.XX \pm 0.20$	$.XX^\circ \pm 1^\circ$	FINISH		PART NO. (INTENDED USE)	
$.XXX \pm 0.10$	$.XXX^\circ \pm 0.5^\circ$	QTY		APPL:	
THESE DRAWINGS AND SPECIFICATIONS ARE THE PROPERTY OF DE HUI ELECTRON FACTORY AND SHALL NOT BE REPRODUCED, COPIED OR USED IN ANY MANNER WITHOUT THE PRIOR WRITTEN CONSENT OF DE HUI ELECTRON FACTORY				CHKD:	DATE: YLZ 2011.09.28
				SCALE	1/1
				SHEET	1/1
				REV.	A