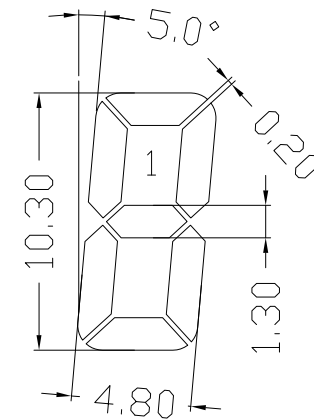
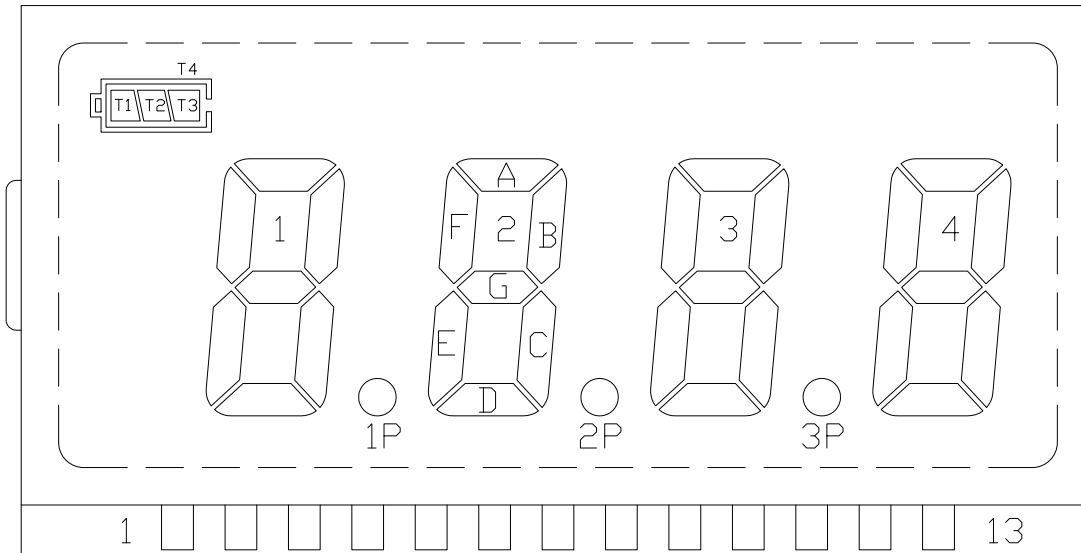


NOTE

- | | |
|--|---|
| <p>1 TOLERANCES UNLESS OTHERWISE SPECIFIED: ± 0.25</p> <p>2 ALL DIMENSIONS ARE IN mm</p> <p>3 VIEWING ANGLE: 6:00 O'CLOCK</p> <p>4 LCD TYPE: TN, REFLECTIVE, POSITIVE</p> | <p>5 MULTIPLEX LEVEL: 1/4 DUTY, 1/3 BIAS</p> <p>6 LCD DRIVING VOLTAGE(Vop): 3.3 V</p> <p>7 OPERATING TEMP: 0 °C TO 50°C
STORAGE TEMP: -10 °C TO 60 °C</p> <p>8 CONNECTOR: PIN</p> |
|--|---|

GOOD DISPLAY

APPROVED BY	CHECKED BY	DRAWN BY
FU YISHAN	LJY	DHZ
DESIGN MODEL : GDC8310		REV. A
CUSTOMER MODEL :		
DATE: 10.06.17	SCALE:	PAGE 1 OF 2



PIN	1	2	3	4	5	6	7	8	9	10	11	12	13
COM0				COM0	1D	1P	2D	2P	3D	3P	4D		T2
COM1			COM1		1E	1C	2E	2C	3E	3C	4E	4C	T3
COM2		COM2			1F	1G	2F	2G	3F	3G	4F	4G	T1
COM3	COM3				1A	1B	2A	2B	3A	3B	4A	4B	T4

GOOD DISPLAY		
APPROVED BY	CHECKED BY	DRAWN BY
FU YISHAN	LJY	DHZ
DESIGN MODEL : GDC8310		REV. A
CUSTOMER MODEL :		
DATE: 10.06.17	SCALE:	PAGE 2 OF 2

Customer Mode: /

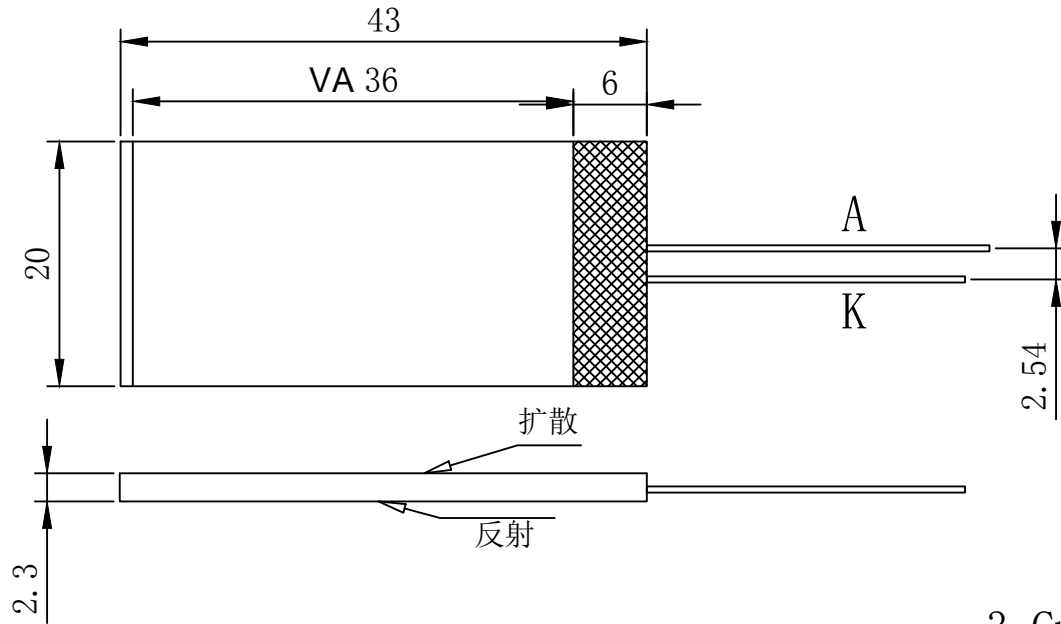
Customer Approve By:

REV.	DESCRIPTION OF MODIFY	DATE
A0	Original version	

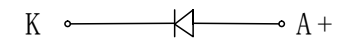
1.外形结构图 (单位: mm。未注极限尺寸±0.3)

REV(版本)	DATE (日期)	CHANGE ITEM (变更内容)
---------	-----------	--------------------

RoHS



3. Curcuit Diagram



LED : 白色

2. 光电参数 (ELECTRICAL-OPTICAL CHARACTERISTICS)

Item	Symbol	COLOR	min.	typ.	max.	Unit	Condition
Forward Current	I_f		2.9	3.1	3.3		$I_F = 15 \text{ mA}$
Reverse Current	I_r	/	/		60	μA	$V_r = 5.0 \text{ V/DIP}$
Luminance Tolerance	L_v					cd/m^2	$I_F = 15 \text{ mA}$
Emission Wavelength	I_v		0.23		0.3	nm	$I_F = 15 \text{ mA}$

Operating Temperature: $-20 \sim +60^\circ\text{C}$ Storage Temperature: $-25 \sim +70^\circ\text{C}$

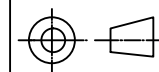
Dalian Good Display Co., Ltd

DWG NO.: BL-GDC8310-2

DESIGNED BY: Z M H

CHECKED BY:

APPROVED BY:



VERSION: A0 UNIT: mm

SHEET: 1 OF 1 DATE:

Autodesk

Autodesk

Autodesk