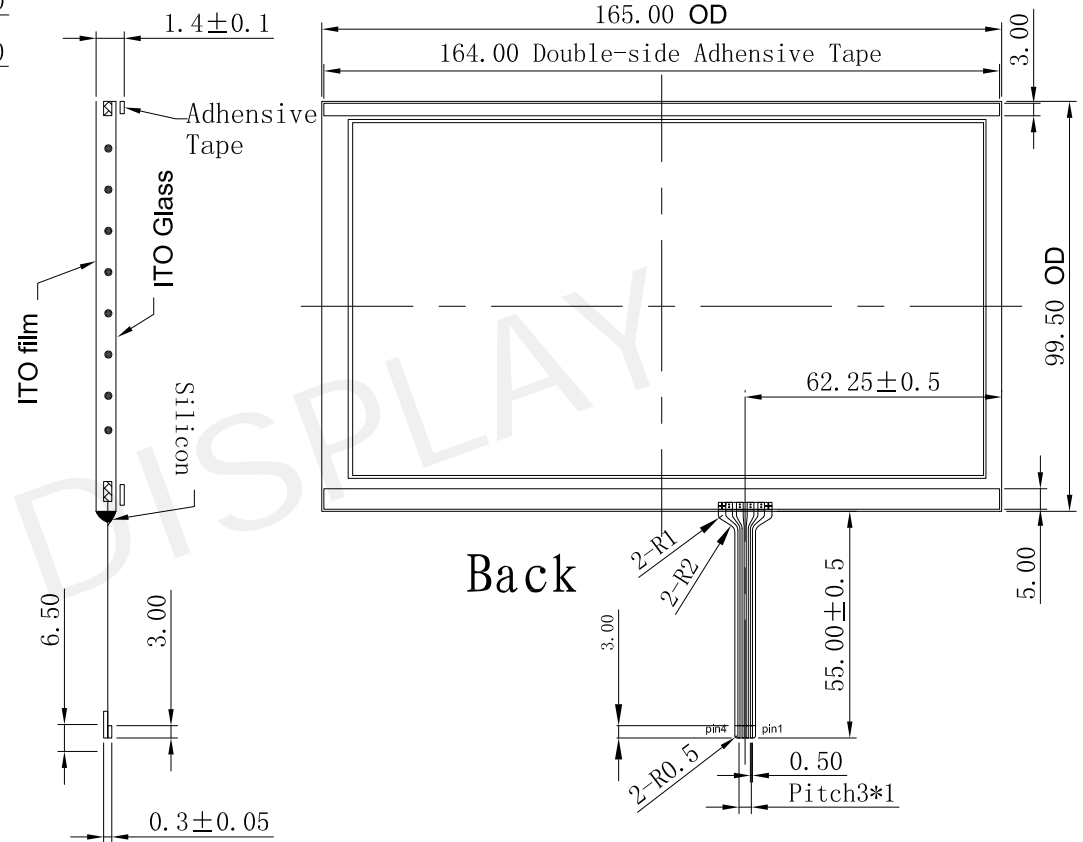
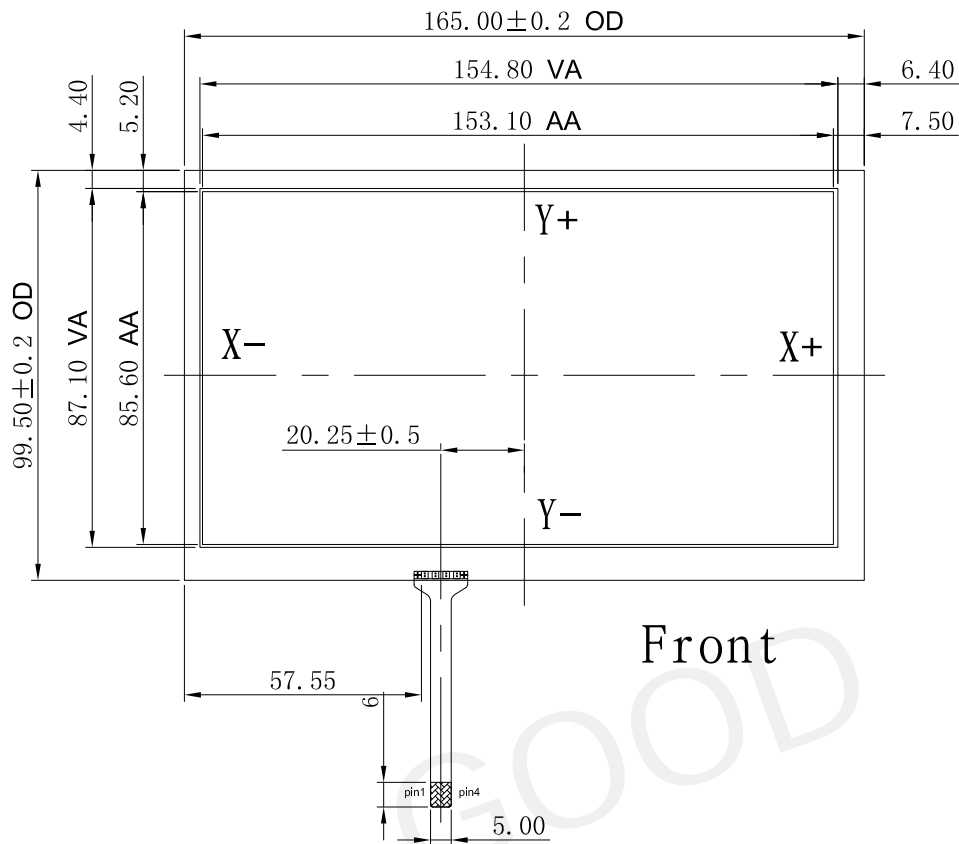




由 Autodesk 教育版产品制作



Note:

- Structure: film+glass+FPC  
 Film: Bright screen (0.188mm)  
 Glass:  $500 \Omega / \square$  (1.1mm)  
 Tail: FPC (pitch=1.0mm)
- Operating voltage: 5.0V
- Voltage: DC5V 1mA
- Insulation resistance:  $\geq 20M\Omega$  (25V DC)
- Linearity:  $\leq 1.5\%$
- Transmittance:  $\geq 75\%$
- Operation force: 20-100g
- Life time:  $\geq 1,000,000$
- Operating temp:  $-10^{\circ}\text{C} \sim +60^{\circ}\text{C}$ ,  $\leq 90\%RH$
- Storage temp:  $-20^{\circ}\text{C} \sim +70^{\circ}\text{C}$ ,  $\leq 90\%RH$
- X:  $400-950 \Omega$  Y:  $100-500 \Omega$
- Tolerance  $\pm 0.20$

PIN	OUT
1	X-
2	Y-
3	X+
4	Y+

		<b>DALIAN GOOD DISPLAY CO., LTD.</b>	
GENERAL TOL ALL UNITS: 0.20 mm	DATE	MODEL NUMBER :	
DWN: ✓	08/04	GDTE070-1	
CHK:		DO NOT SCALE THIS DRAWING.	SHEET: 1 OF 1
APP:			DATE: Feb-02-2013